

EUROPEAN PATENT OFFICE

Patent Abstracts of Japan

PUBLICATION NUMBER : 09159644
 PUBLICATION DATE : 20-06-97

APPLICATION DATE : 11-12-95
 APPLICATION NUMBER : 07345387

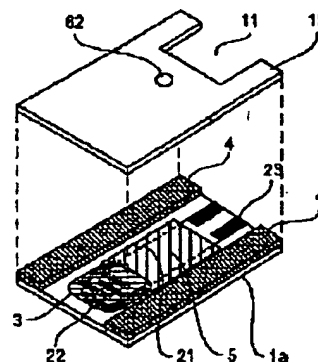
APPLICANT : DAINIPPON PRINTING CO LTD;

INVENTOR : MUNAKATA HIDEAKI;

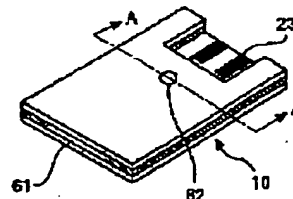
INT.CL. : G01N 27/327 G01N 27/416

TITLE : BIOSENSOR AND MANUFACTURE THEREOF

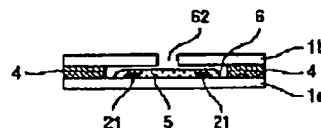
(a)



(b)



(c)



ABSTRACT : PROBLEM TO BE SOLVED: To reduce the cost by laminating upper and lower substrates through a spacer formed on one substrate by printing or partial coating thereby decreasing the number of components.

SOLUTION: A lower insulating substrate 1a provided with an electrode system comprising leads 21, interdigital electrodes 22, connection terminals 23 and an insulation layer 5 and a reaction layer 3 containing a biological substance, e.h. enzyme is provided, on the opposite sides thereof, with spacers 4 in the form of a printed linear pattern or a partial coating such that a space part 6 for bringing the reaction layer 3 into contact with a sample liquid, an introduction port 61 and the side end face part on the opposite side are not choked. An upper insulating substrate 1b provided with a notch 11 for exposing the terminals 23 and a discharge port 62 is then laminated on the lower insulating substrate 1a through the spacer 4 while leaving the space part 6 facing the reaction layer 3 thus constituting a biosensor 10. According to the constitution, an independent spacer sheet is not required and the number of components can be decreased.

COPYRIGHT: (C)1997,JPO

BEST AVAILABLE COPY

This Page Blank (uspto)